

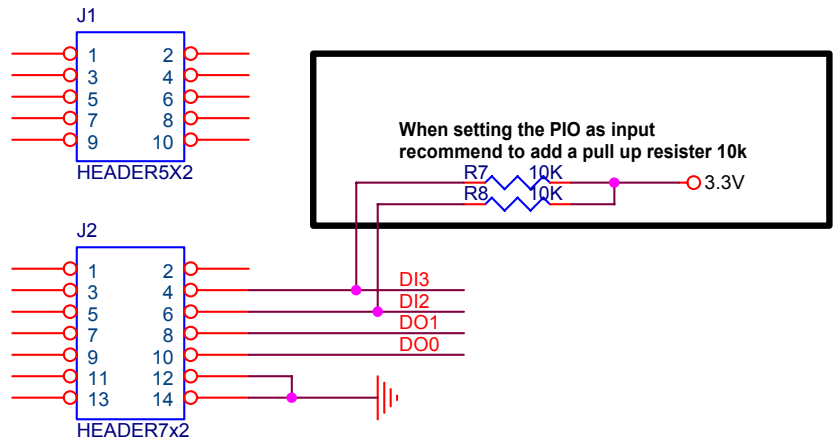
**Ready LED**

Note!! If the power is connected to 5V for Ready LED. The light-emitting diode will be a little luminous while it is turn off. We recommend connecting power to 3.3V to avoid this condition.



**Power LED**

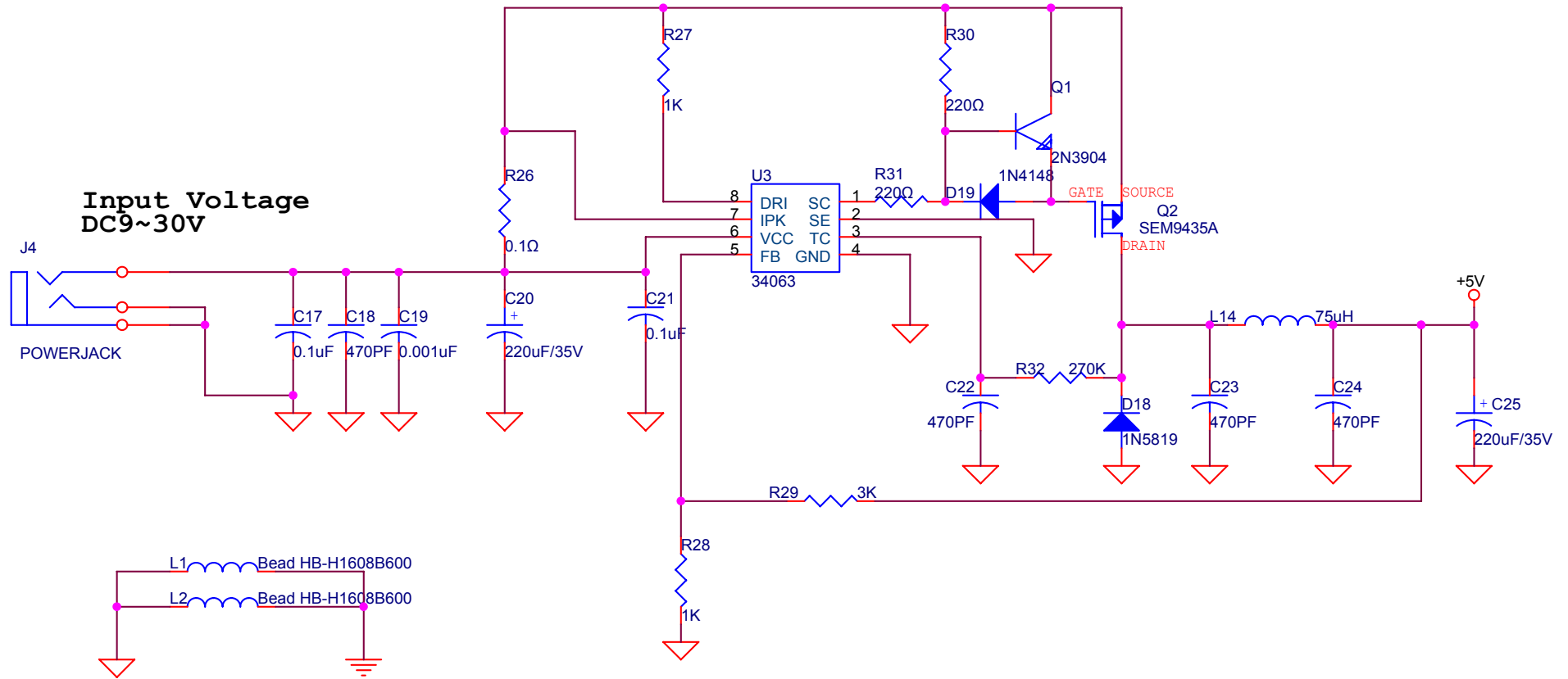
<b>MOXA HWDC</b>		
Title <b>For NE-4120S</b>		
Size A	Document Number <b>LED Display</b>	Rev 1.0
Date: 星期四, 五月 20, 2004	2	Sheet 2 of 3



Absolute Max. Ratings		Min.	Max.	Unit
Vil	Input Low Voltage		1.08	V
Vih	Input High Voltage	2.1		V
Vol	Output Low Voltage		0.4	V
Voh	Output High Voltage	2.4		V

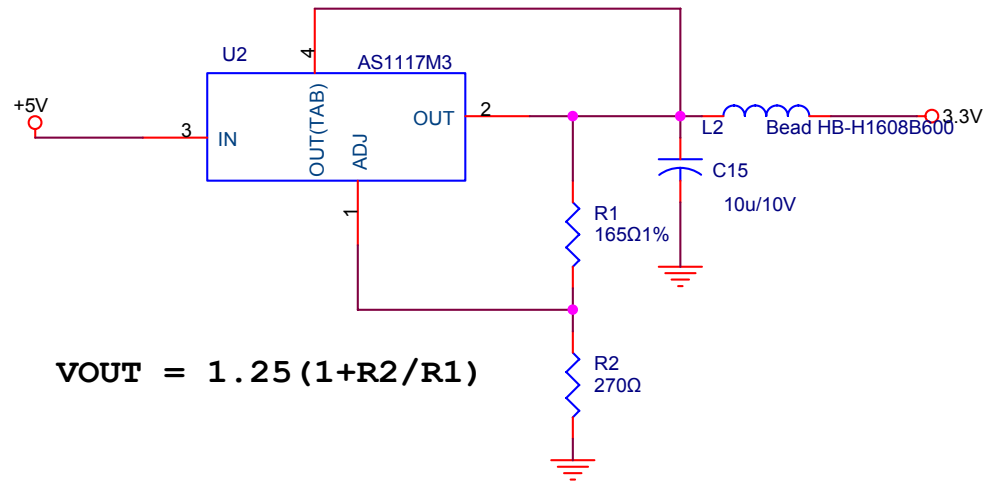
<b>MOXA HWDC</b>		
Title <b>For NE-4120S</b>		
Size A	Document Number <b>DIO</b>	Rev 1.0
Date: 星期四, 五月 20, 2004	Sheet 2	of 3

# The switching regulator is for NE-4110A/S system power



<b>MOXA HWDC</b>		
Title		
<b>For NE-4120S</b>		
Size	Document Number	Rev
A	<b>Switching Regulator</b>	1.0
Date:	星期四, 五月 20, 2004	Sheet 2 of 3
	2	1

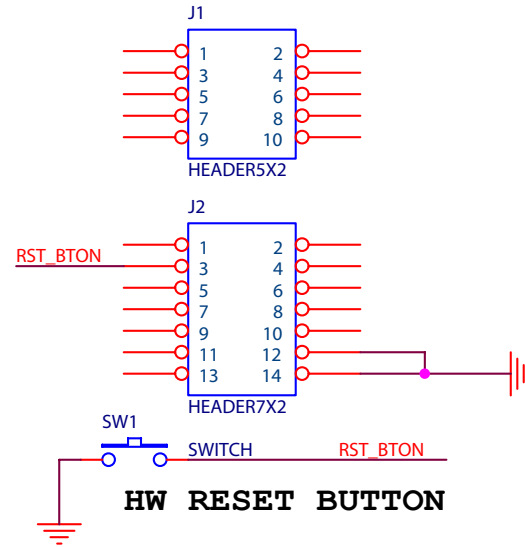
This linear regulator is only for Ready LED to avoid radiating little light while it should be turn off.



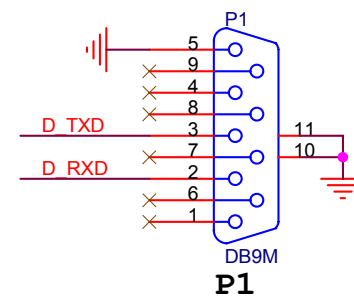
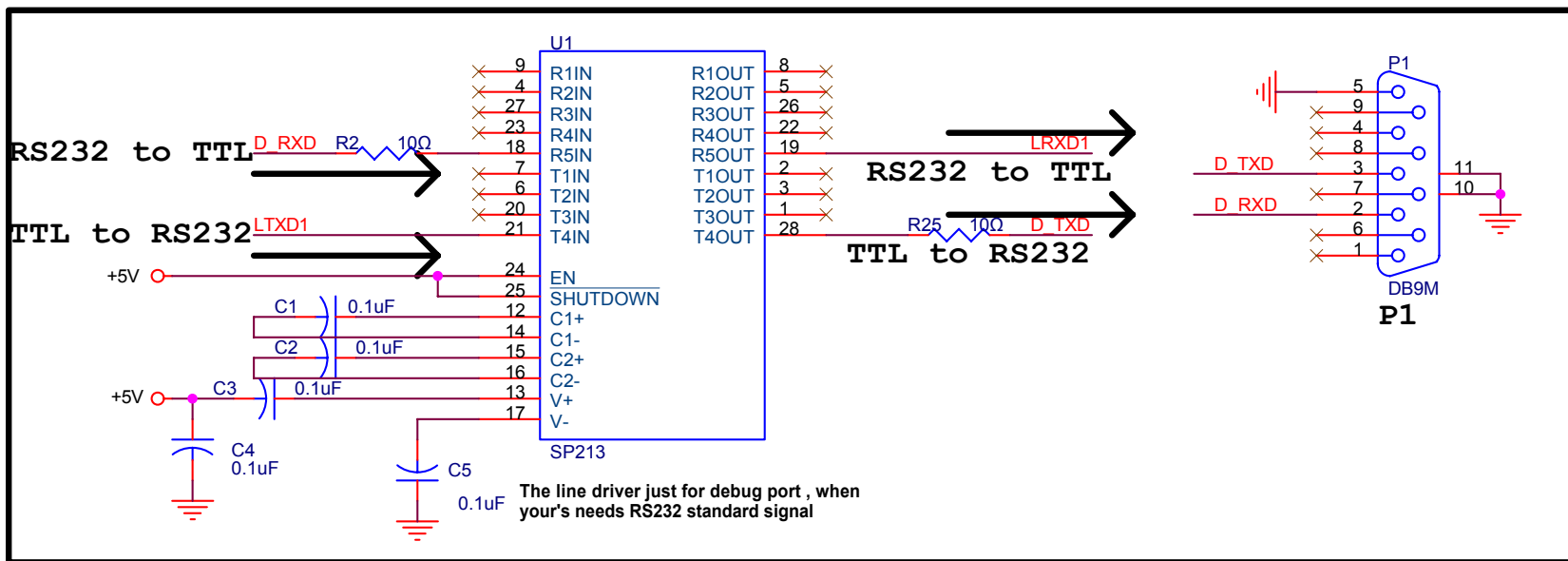
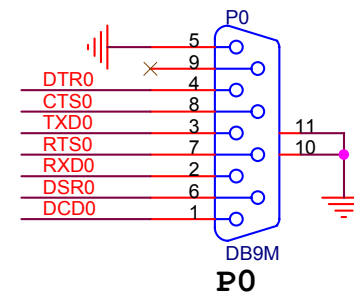
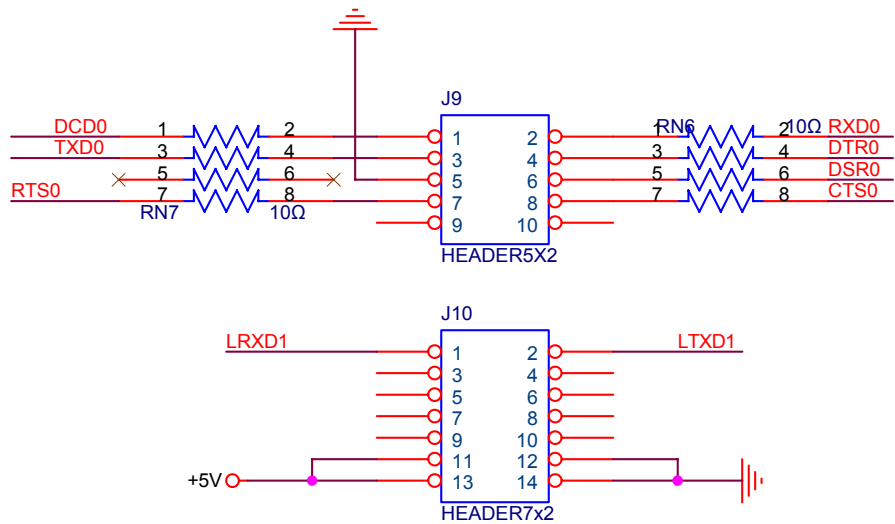
$$V_{OUT} = 1.25 (1 + R2/R1)$$

<b>MOXA HWDC</b>		
Title		
<b>For NE-4120S</b>		
Size A	Document Number <b>Linear Regulator</b>	Rev 1.0
Date: 星期四, 五月 20, 2004	2	Sheet 2 of 3

While push this button, the NE-4120A/S terminates all operations immediately and restarts the system.

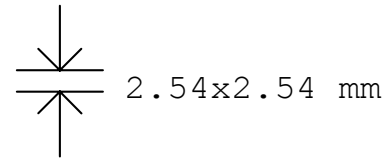
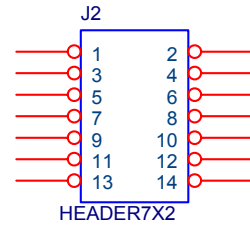
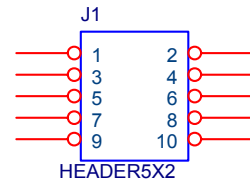


MOXA HWDC		
Title		
For NE-4120S		
Size A	Document Number Reset System	Rev 1.0
Date:	星期四, 五月 20, 2004	Sheet 2 of 3



# MOXA HWDC

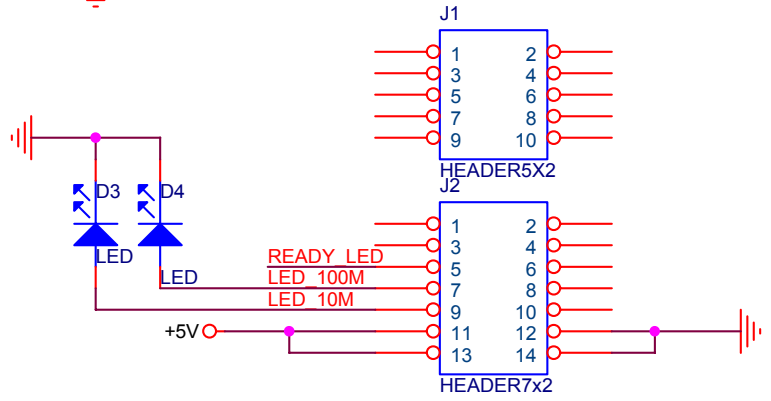
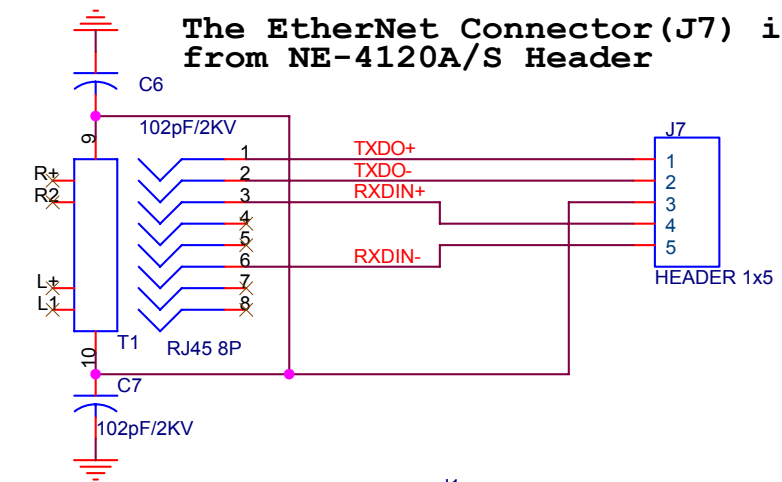
Title		
<b>For NE-4120S</b>		
Size	Document Number	Rev
A	<b>Line Driver &amp; Connector</b>	1.0
Date:	星期四, 五月 20, 2004	Sheet 2 of 3



# MOXA HWDC

Title		
<b>For NE-4120S</b>		
Size A	Document Number <b>DIO</b>	Rev 1.0
Date: 星期四, 五月 20, 2004	2	Sheet 2 of 3

The Ethernet Connector (J7) is wiring from NE-4120A/S Header



<b>MOXA HWDC</b>		
Title		
<b>For NE-4120S</b>		
Size	Document Number	Rev
A	<b>EtherNet</b>	1.0
Date:	星期四, 五月 20, 2004	Sheet 2 of 3
	2	1