

IM-6700A Series

Fast Ethernet modules for IKS-6726A-2GTXSFP/IKS-6728A-4GTXSFP/IKS-6728A-8PoE-4GTXSFP series switches

Specifications

Fast Ethernet Interface Modules, IM-6700A series



IM-6700A-8TX



IM-6700A-8SFP*



IM-6700A-6SSC
IM-6700A-6MSC



IM-6700A-6MST



IM-6700A-2MSC4TX
IM-6700A-2SSC4TX



IM-6700A-2MST4TX



IM-6700A-4MSC2TX
IM-6700A-4SSC2TX



IM-6700A-4MST2TX



IM-6700A-8PoE**

*See the SFP-1FE datasheet for Fast Ethernet module product information.

**IM-6700A-8PoE is supported by the IKS-6728A-8PoE series

Interface

RJ45 Ports: 10/100BaseT(X) auto negotiation speed, Full/Half duplex mode, and auto MDI/MDI-X connection

Fiber Ports: 100BaseFX ports (SC/ST or SFP LC connector)

PoE Ports: 10/100BaseT(X) auto negotiation speed, Full/Half duplex mode, and auto MDI/MDI-X connection, IEEE 802.3af/at standards, Mode A

Optical Fiber

		100BaseFX		
		Multi-Mode		Single-Mode
Fiber Cable Type		OM1	50/125 μm 800 MHz*km	G.652
		Typical Distance		4 km
Wave-length	Typical (nm)	1300		1310
	TX Range (nm)	1260 to 1360		1280 to 1340
	RX Range (nm)	1100 to 1600		1100 to 1600
Optical Power	TX Range (dBm)	-10 to -20		0 to -5
	RX Range (dBm)	-3 to -32		-3 to -34
	Link Budget (dB)	12		29
	Dispersion Penalty (dB)	3		1

Note: When connecting a single-mode fiber transceiver, we recommend using an attenuator to prevent damage caused by excessive optical power. Note: Compute the "typical distance" of a specific fiber transceiver as follows: Link budget (dB) > dispersion penalty (dB) + total link loss (dB).

Power Requirements

Power Consumption:

IM-6700A-8TX: 1.21 W
 IM-6700A-8PoE: 1.21 W (w/o PoE output)
 IM-6700A-8SFP: 0.92 W
 IM-6700A-6MSC/6MST/6SSC: 7.57 W
 IM-6700A-4MSC2TX/4MST2TX/4SSC2TX: 5.28 W
 IM-6700A-2MSC4TX/2MST4TX/2SSC4TX: 3.19 W

Physical Characteristics

Weight:

IM-6700A-8TX: 225 g (0.50 lb)
 IM-6700A-8PoE: 260 g (0.58 lb)
 IM-6700A-8SFP: 295 g (0.65 lb)
 IM-6700A-6MSC-6MSC/6MST/6SSC: 390 g (0.86 lb)
 IM-6700A-4MSC2TX-4MSC2TX/4MST2TX/4SSC2TX: 270 g (0.60 lb)
 IM-6700A-2MSC4TX-2MSC4TX/2MST4TX/2SSC4TX: 270 g (0.60 lb)

Reliability

MTBF (mean time between failures):

IM-6700A-8TX: 10,412,400 hrs
 IM-6700A-8SFP: 3,510,110 hrs
 IM-6700A-6MSC: 366,119 hrs
 IM-6700A-6MST: 365,741 hrs
 IM-6700A-6SSC: 365,741 hrs
 IM-6700A-4MSC2TX: 530,268 hrs
 IM-6700A-4MST2TX: 537,942 hrs
 IM-6700A-2MSC4TX: 1,031,180 hrs
 IM-6700A-2MST4TX: 1,031,180 hrs
 IM-6700A-2SSC4TX: 1,031,180 hrs
 IM-6700A-8PoE: 338,800 hrs

Database: Telcordia (Bellcore), GB

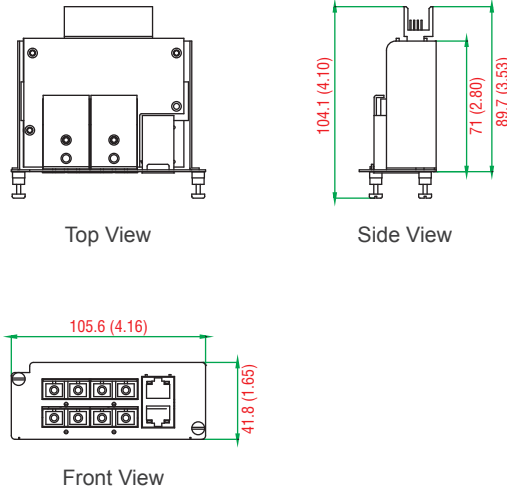
Warranty

Warranty Period: 5 years

Details: See www.moxa.com/warranty

Dimensions

Unit: mm (inch)



Ordering Information

Compatible Rackmount Ethernet Switch Systems

Modular Rackmount Ethernet Switch System:

IKS-6726A-2GTXSFP



IKS-6728A-4GTXSFP



IKS-6728A-8PoE



Fast Ethernet Modules, IM-6700A Series

Available Models	Port Interface				
	10/100BaseT(X)	100BaseFX			100BaseSFP*
		Multi-Mode, SC Connector	Multi-Mode, ST Connector	Single-Mode, SC Connector	
IM-6700A-8TX	8	–	–	–	–
IM-6700A-8SFP	–	–	–	–	8
IM-6700A-6MSC	–	6	–	–	–
IM-6700A-6MST	–	–	6	–	–
IM-6700A-6SSC	–	–	–	6	–
IM-6700A-4MSC2TX	2	4	–	–	–
IM-6700A-4MST2TX	2	–	4	–	–
IM-6700A-4SSC2TX	2	–	–	4	–
IM-6700A-2MSC4TX	4	2	–	–	–
IM-6700A-2MST4TX	4	–	2	–	–
IM-6700A-2SSC4TX	4	–	–	2	–
IM-6700A-8PoE	8 (PoE+ ports)	–	–	–	–

Package Checklist

- IM-6700A series interface module
- Warranty card

SFP-1FE Series

1-port Fast Ethernet SFP modules



- > Digital Diagnostic Monitor Function
- > IEEE 802.3u compliant
- > Differential PECL inputs and outputs
- > TTL signal detect indicator
- > Hot pluggable LC duplex connector
- > Class 1 laser product; complies with EN 60825-1



Specifications

Interface

Ethernet Ports: 1

Connectors: Duplex LC Connector

Optical Fiber

	Fast Ethernet SFP			
	SFP-M		SFP-S	SFP-L
Transceiver Type	Multi-Mode		Single-Mode	
Fiber Cable Type	OM1/OM2	62.5/125, 50/125 μ m	G.652	G.652
		800 MHz* km		
Typical Distance	2 km	4 km	40 km	80 km
Wave-length	Typical (nm)	1310	1310	1550
	TX Range (nm)	1280 to 1340	1280 to 1340	1530 to 1570
	RX Range (nm)	1100 to 1650	1100 to 1600	1100 to 1600
Optical Power	TX Range (dBm)	-8 to -18	0 to -5	0 to -5
	RX Range (dBm)	-3 to -32	-3 to -34	-3 to -34
	Link Budget (dB)	14	29	29
	Dispersion Penalty (dB)	2	3	1

Note: When connecting the SFP-S or L, we recommend using an attenuator to prevent damage caused by excessive optical power.

Power Requirements

Power Consumption: Max. 1 W

Environmental Limits

Operating Temperature: -40 to 85°C (-40 to 185°F)

Storage Temperature: -40 to 85°C (-40 to 185°F)

Ambient Relative Humidity: 5 to 95% (non-condensing)

Standards and Certifications

Safety: CE, FCC, TÜV, UL 60950-1

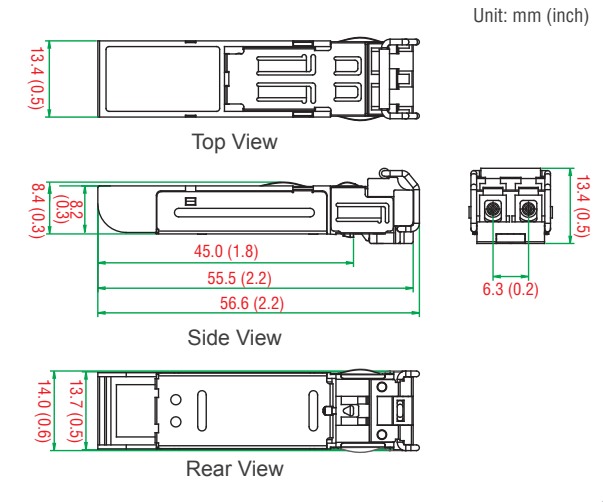
Marine: DNV, GL

Warranty

Warranty Period: 5 years

Details: See www.moxa.com/warranty

Dimensions



Ordering Information

Available Models	Port Interface			
	Wide Temperature (-40 to 85°C)	100BaseFX, Multi-Mode, LC Connector, 4 km	100BaseFX, Single-Mode, LC Connector, 40 km	100BaseFX, Single-Mode, LC Connector, 80 km
SFP-1FEMLC-T		1	-	-
SFP-1FESLC-T		-	1	-
SFP-1FELLC-T		-	-	1

Package Checklist

- SFP-1FE module
- Warranty card